

BRASS AUTOMATIC AIR VENT

PN 16



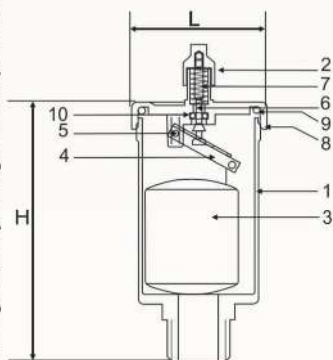
Model: 119

- The air vent valve is a simple float operated valve that allows bleeding of air from piping systems.
- Application: Water heating systems and water solar heating systems

Specifications

Working Pressure	16 bar
Working Temperature	120° C
Maximum pressure	20 bar
Body test	16 bar
Test Pressure	Hydrostatic 17 bar
	Air 16 bar

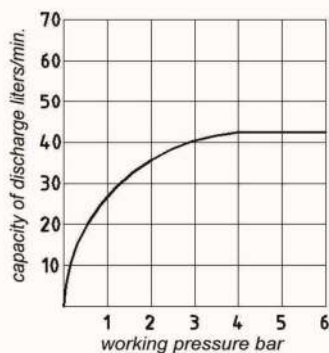
Due to continuous product development, data is not binding and may change without prior notice



Materials

No.	Part	Material	
1	Body	Brass	ASTM C 84400
2	Cap	Brass	ASTM C36600
3	Float	Plastic	Propylene Resin
4	Stem	Brass	ASTM C37700
5	Spindle	Brass	ASTM B16 C36000
6	Lever	Brass	ASTM B16 C36000
7	Spring	Stainless Steel	AISI 302
8	Cage	Brass	ASTM C37700
9	O-ring	Rubber	NBR (ASTMD 1418)
10	O-ring	Rubber	NBR (ASTMD 1418)

HYDRAULIC FEATURES



Dimensions

Size	inch	1/2"	3/4"	1"
	mm	15	20	25
L	End to End	47	47	47
H	Height	118	118	125