

BRONZE BALANCING VALVE

PN 16



Model: FV1

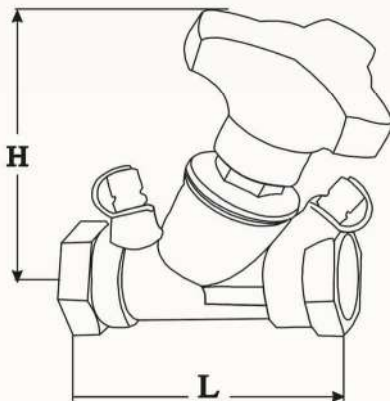
- Easy selection of desired position without the need for a manometer. Exact measurement of headloss and flow by means of the pressure test points, the flow rate tolerance within $\pm 5\%$.
- Application: HVAC System.

Specifications

Working Pressure		16 Bar
Working Temperature		-20°C -120°C
Maximum pressure		20 bar
Body test		20 Bar
Test Pressure	Hydrostatic	20 bar
	Air	16 bar

Materials

No.	Part	Material	
1	Body	Bronze	ASTM B62-C83600
2	Bonnet	Bronze	ASTM B62-C83600
3	Packing Gland Nut	Rubber	EPDM
4	Disc	Rubber	EPDM
5	Seat ring	Teflon	PTFE
6	O-ring	Rubber	EPDM



Dimensions

Size	1/2"	3/4"	1"	1¼"	1½"	2"
	15	20	25	32	40	50
L	90	97	110	124	130	155
H	100	100	105	110	120	120

Due to continuous product development, data is not binding and may change without prior notice