

BRONZE BALL VALVE

Conform to MSS SP- 80

600 W.O.G

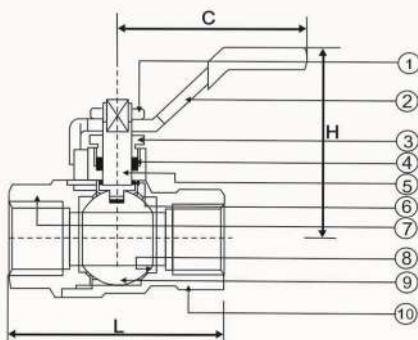


- Full Port Flow Passage, PTFE seats, blowout proof stem, threaded ends to BS21 or NPT.
- Application: steam, hot and cold water, compressed air natural and mineral oil, gas, petrol...

Specifications

Working Pressure		40 Bar
Working Temperature		-20°C -180°C
Maximum pressure		60 Bar
Body test		65 Bar
Test Pressure	Hydrostatic	63 Bar
	Air	16 Bar

Model: 229



Materials

No.	Part	Material	
1	Stem Nut	Plastic	ASTM B58 - C83600
2	Handle	Steel	SS410
3	Gland Nut	Brass	ASTM B58 - C83600
4	Stem Packing	Teflon	PTFE
5	Stem	Brass	ASTM B58 - C83600
6	Thrust Washer	Teflon	PTFE
7	Body Cap	Chrome plate	ASTM B62 - C83600
8	Ball Seat	Teflon	PTFE
9	Ball	Chrome plate	ASTM B58 - C83600
10	Body	Chrome plate	ASTM B62 - C83600

Dimensions

Size	inch	1/4"	3/8"	1/2"	3/4"	1"	1 1/4"	1 1/2"	2"	2 1/2"	3"	4"
	mm	6	10	12	20	25	32	40	50	65	80	100
L	End to End	42	44	53	61	74	81	94	110	143	160	184
H	Height	37	38	49	54	63	69	76	87	119	131	146
C	Length of Handle	76	76	90	107	133	133	142	153	240	240	240

Due to continuous product development, data is not binding and may change without prior notice